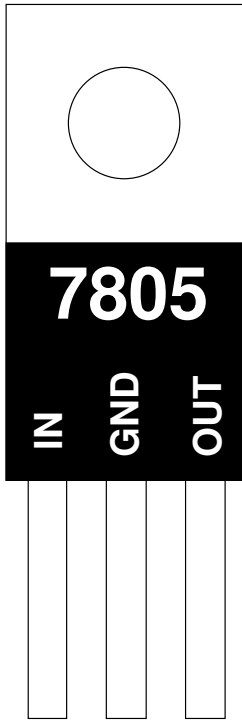


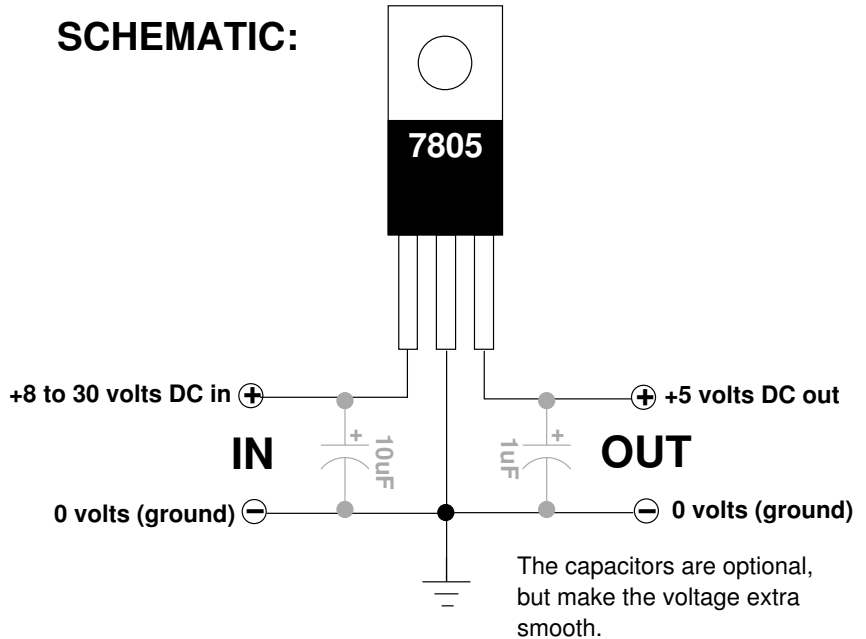
# HOW TO MAKE 5 VOLTS

## with the good ol' 7805 voltage regulator

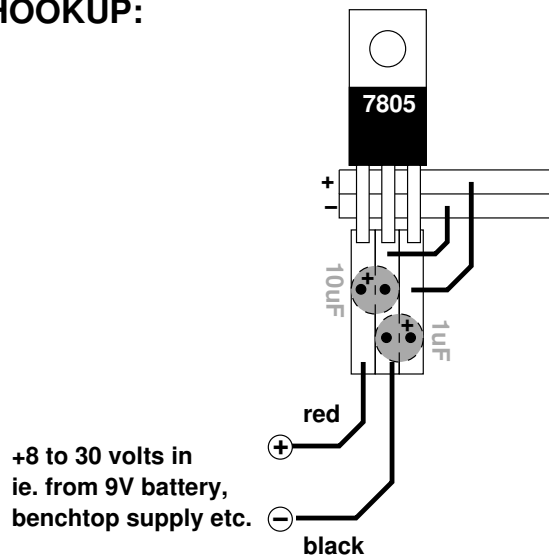


**PINOUTS**

### SCHEMATIC:



### EXAMPLE BREADBOARD HOOKUP:



### DESCRIPTION:

The 7805 is a VOLTAGE REGULATOR. It looks like a transistor but it is actually an integrated circuit with 3 legs. It can take a higher, crappy DC voltage and turn it into a nice, smooth 5 volts DC. You need to feed it at least 8 volts and no more than 30 volts to do this. It can handle around .5 to .75 amps, but it gets hot. Use a heatsink. Use it to power circuits than need to use or run off of 5 volts.