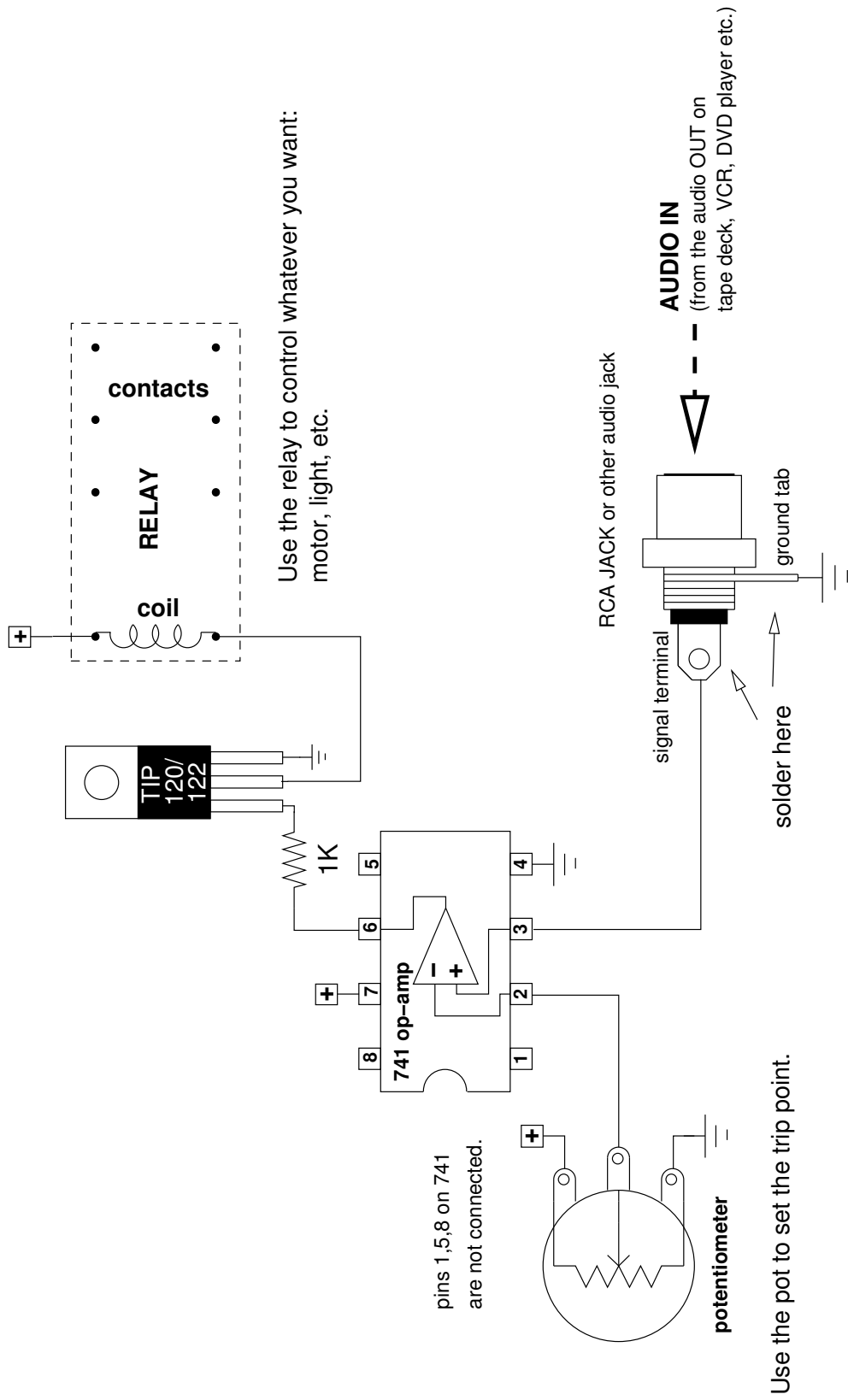


# Comparator Circuit 2:

## AUDIO ACTIVATED RELAY



Use the relay to control whatever you want:  
motor, light, etc.

pins 1,5,8 on 741  
are not connected.

Use the pot to set the trip point.

**AUDIO IN**  
(from the audio OUT on  
tape deck, VCR, DVD player etc.)

RCA JACK or other audio jack  
signal terminal  
ground tab  
solder here