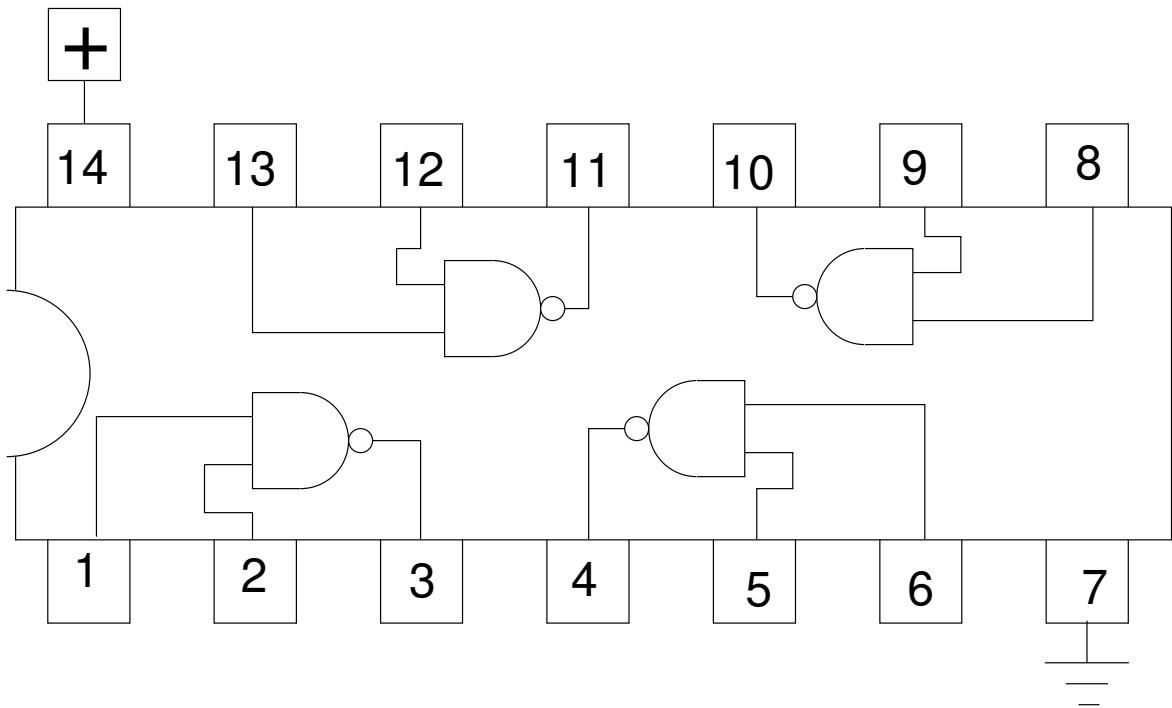
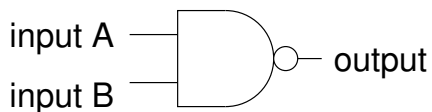


4093 Quad 2-Input NAND Schmitt Trigger



There are four NAND gates in this chip. Make sure you tie all unused inputs to ground or positive. "Schmitt Trigger" just means that the inputs can handle really crappy or slow voltages and make nice, clean outputs.

NAND truth table:



input A	input B	output
low	low	high
low	high	high
high	low	high
high	high	low