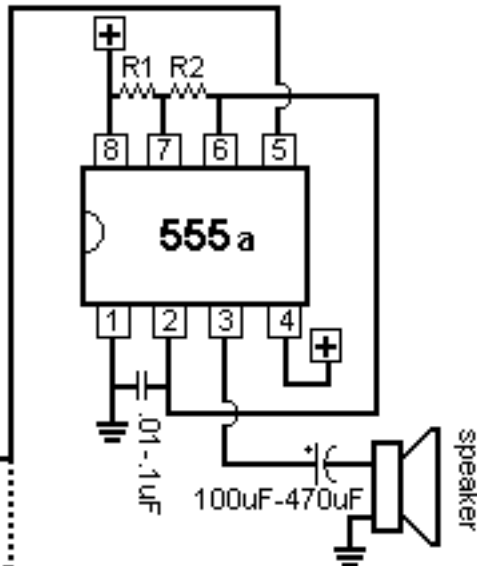
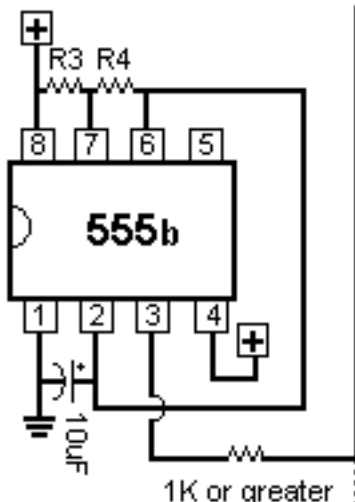


USING THE MODULATION INPUT (pin 5)



555c

pin 3

1K or greater

**555d
etc.**

pin 3

1K or greater

555b modulates 555a approx.
once per second. (1Hz)

For R1-R4 try values like 10K,
100K etc. Experiment! Try
photocells, diodes as in the other
circuits on this page.